

# Par-46 Search Landing Light

## SLL 46-200

[www.spectrolab.com](http://www.spectrolab.com)

### Product Highlights

### Key Specifications & Characteristics:

- MIL-SPEC Qualified
- Intense 250,000 Peak Candela (CD)
- Dual Mode High-Output LED Lamp
- Visible and Infrared (NVIS B Compliant)
- Digital Control Capability
- Position Feedback Output
- Innovative Gear Design
- High Air Speed Deployment & Operation
- Drop-in Replacement for Par-46 Applications

### Applications

A new innovative MIL-SPEC Par-46 Search Landing Light, designed to introduce new control and lighting capabilities as a drop-in replacement, on most aircraft types.

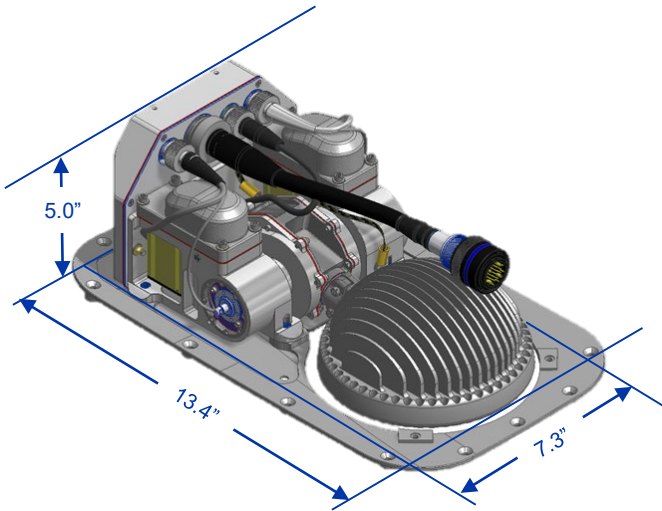
### System Description:

Spectrolab is proud to introduce a new revolutionary search landing light. The SLL 46-200 is a State of Art MIL-SPEC search landing light design using the latest native LED technologies for intense light output in both visible and infrared lighting spectrums. A finned heat sink design allows for optimal performance of the high intensity LED lamp module. Control capabilities are a departure from the standard norm with an innovative dual digital servo and gear design for quick and smooth slewing in azimuth and elevation, with position feedback capability. The innovative gear design also enables the lamp to be deployed and operated within full range of motion at an unmatched air speed of 200 KNOTS. The base design lends itself as a drop-in replacement and alternative to most Par 46 deployable landing light cavities.

# Par-46 Search Landing Light

## SLL 46-200

### Envelope Dimensions



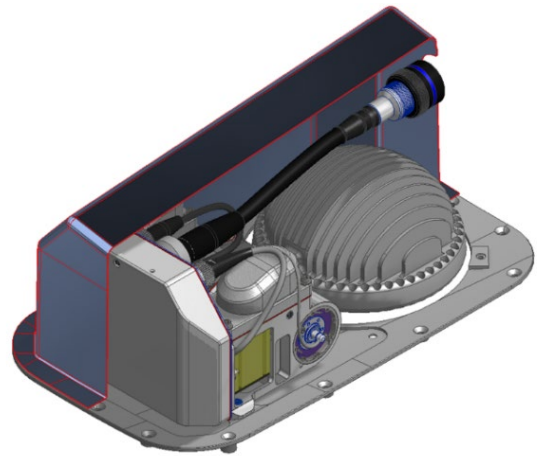
Envelope Dimensions

### Mechanical Characteristics

MIL-STD Qualifications	<ul style="list-style-type: none"> <li>MIL-STD-810D</li> <li>MIL-STD-461F</li> <li>MIL-STD-704D</li> </ul>
Lamp Size	<ul style="list-style-type: none"> <li>Par 46</li> </ul>
Weight	<ul style="list-style-type: none"> <li>12.5 lbs.</li> <li>5.6 kg</li> </ul>
Dimensions	<ul style="list-style-type: none"> <li>H = 5.0" 12.7 cm</li> <li>W = 7.3" 18.5 cm</li> <li>L = 13.4" 34.0 cm</li> </ul>
Max Airspeed Deployment & Operational	200 KNOTS
Temperature: Operational & Storage	-55° C to +71° C
Mounting Pattern	MIL-STD

### Illumination Characteristics

Lamp Type	30 High Power LED Modules
Lamp Wattage	180 Watts Total
Visible Wavelength	350 – 700nm
IR Wavelength	800 – 960nm
Candela – visible	>200,000 CD
Candela – infrared	10NVIS RI
Optimal Beam Spread	Rectangular 18° X 8°



### Electrical Characteristics

Input Voltage	+28Vdc
Input Motor Power	75 Watts Max
Current – Nominal	8
Current – Max	8.5A
Interface	Quick Disconnect Connector

### SPECTROLAB

A Boeing Company

- Tel: (818) 365-4611
- Toll Free: (800) 936 4888
- Email: [DL-SYLCustomerservice@west.boeing.com](mailto:DL-SYLCustomerservice@west.boeing.com)  
[www.spectrolab.com](http://www.spectrolab.com)

