

Par-46 Search Landing Light

SLL 46-200

www.spectrolab.com

Product Highlights



Key Specifications & Characteristics:

- MIL-SPEC Qualified
- Intense 250,000 Peak Candela (CD)
- Dual Mode High-Output LED Lamp
- Visible and Infrared (NVIS B Compliant)
- Digital Control Capability
- Position Feedback Output
- Innovative Gear Design
- High Air Speed Deployment & Operation
- Drop-in Replacement for Par-46 Applications

Applications

A new innovative MIL-SPEC Par-46 Search Landing Light, designed to introduce new control and lighting capabilities as a drop-in replacement, on most aircraft types.

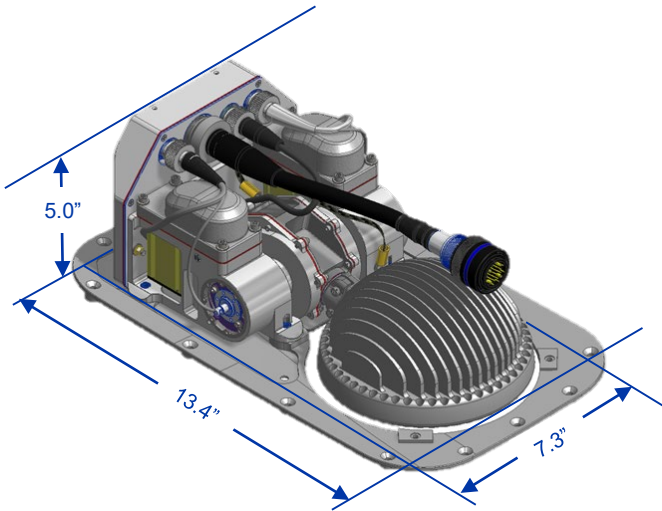
System Description:

Spectrolab is proud to introduce a new revolutionary search landing light. The SLL 46-200 is a State of Art MIL-SPEC search landing light design using the latest native LED technologies for intense light output in both visible and infrared lighting spectrums. A finned heat sink design allows for optimal performance of the high intensity LED lamp module. Control capabilities are a departure from the standard norm with an innovative dual digital servo and gear design for quick and smooth slewing in azimuth and elevation, with position feedback capability. The innovative gear design also enables the lamp to be deployed and operated within full range of motion at an unmatched air speed of 200 KNOTS. The base design lends itself as a drop-in replacement and alternative to most Par 46 deployable landing light cavities.

Par-46 Search Landing Light

SLL 46-200

Envelope Dimensions



Envelope Dimensions

Mechanical Characteristics

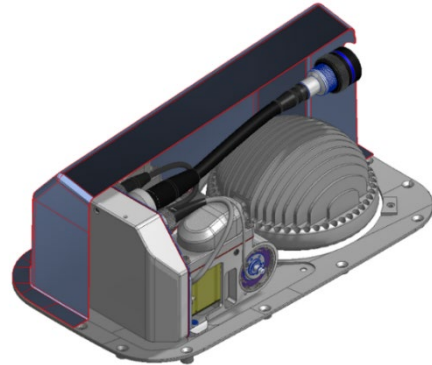
| | |
|---------------------------------------|---|
| MIL-STD Qualifications | <ul style="list-style-type: none"> MIL-STD-810D MIL-STD-461F MIL-STD-704D |
| Lamp Size | <ul style="list-style-type: none"> Par 46 |
| Weight | <ul style="list-style-type: none"> 12.5 lbs. 5.6 kg |
| Dimensions | <ul style="list-style-type: none"> H = 5.0" 12.7 cm W = 7.3" 18.5 cm L = 13.4" 34.0 cm |
| Max Airspeed Deployment & Operational | 200 KNOTS |
| Temperature: Operational & Storage | -55° C to +71° C |
| Mounting Pattern | MIL-STD |

Illumination Characteristics

| | |
|---------------------|---------------------------|
| Lamp Type | 30 High Power LED Modules |
| Lamp Wattage | 180 Watts Total |
| Visible Wavelength | 350 – 700nm |
| IR Wavelength | 800 – 960nm |
| Candela – visible | >200,000 CD |
| Candela – infrared | 10NVIS RI |
| Optimal Beam Spread | Rectangular 18° X 8° |

Electrical Characteristics

| | |
|-------------------|----------------------------|
| Input Voltage | +28Vdc |
| Input Motor Power | 75 Watts Max |
| Current – Nominal | 8 |
| Current – Max | 8.5A |
| Interface | Quick Disconnect Connector |



The Spectrolab Nightsun® XPM IR LED complies with part 15 of the FCC Rules. Operation is subject to the following two conditions: (1) This device may not cause harmful interference, and (2) this device must accept any interference received, including interference that may cause undesired operation.

- Tel: (818) 365-4611
- Toll Free: (800) 936 4888
- Email: DL-SYLCustomerservice@west.boeing.com
www.spectrolab.com

