

ISO9001:2000 Registered • AS9100 Registered

A BOEING COMPANY

## Diced Wafers on Tape Shipping Configuration

**Dicing Tape:** Ultron 1005R (heat release). Smooth medium tack adhesive film. Base film is PVC with Acrylic adhesive.

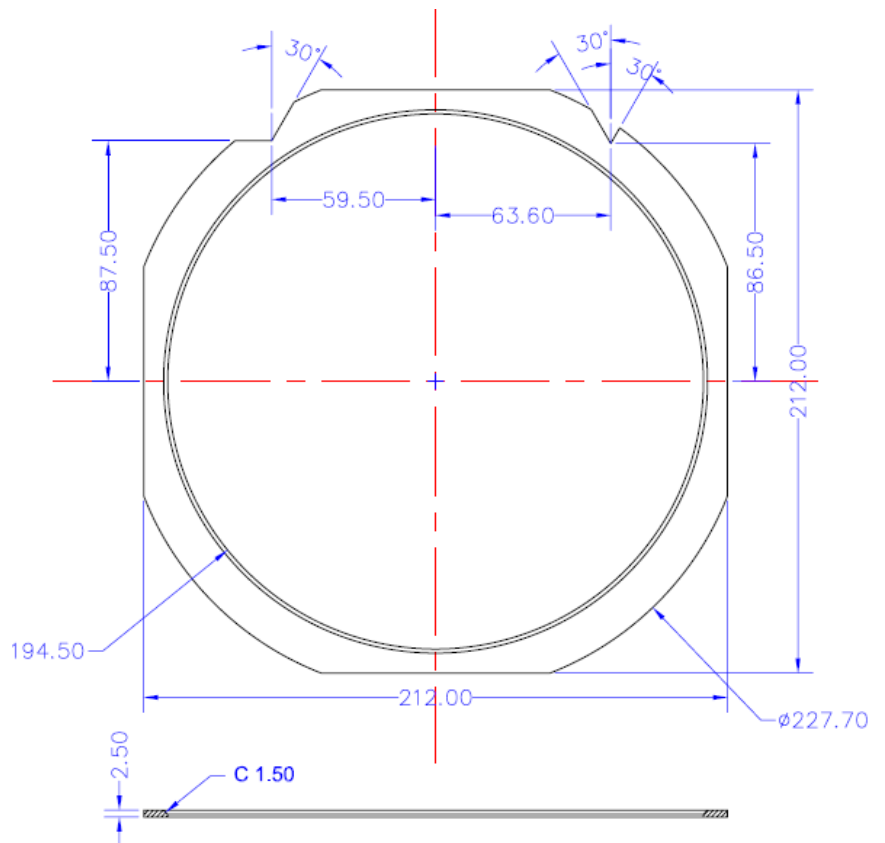
<http://www.ultronsystems.com/materials.html>

**Dicing Frame:** 6" ABS plastic wafer frame compatible with Disco DTF 2-6-1

<http://www.disco.co.jp/eg/products/related/index.html>

**Frame Shipper:** Entegris E400-083-101-0615, 25 frame capacity, Transparent Polypropylene

<http://www.ictray.com/Default.asp?Page=FilmFrameShippers-Multiple&In=en>



Rev. 3/10/12

ISO9001:2000  
REGISTERED

ENVIRONMENTAL MANAGEMENT SYSTEM  
CERTIFIED BY DNV  
ISO 14001

OHSAS 18001  
Safety Management System

AS9100  
REGISTERED

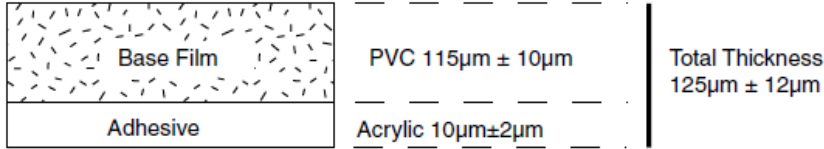
© 2012 Spectrolab, Inc. All Rights Reserved

Spectrolab, Inc • 12500 Gladstone Avenue • Sylmar, CA 91342 • 818-465-4611 • [www.spectrolab.com](http://www.spectrolab.com) • [info@spectrolab.com](mailto:info@spectrolab.com)

Specifications subject to change without notice.

# Ultron 1005R Tape

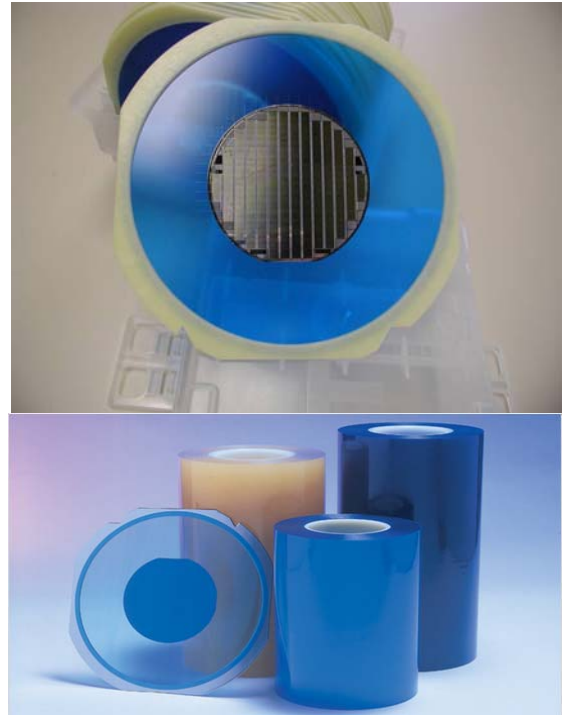
## Film Construction



## Specification:

Type:	1005 R
Base film material:	PVC (Polyvinyl Chloride)
Base film thickness:	115 µm
Color:	blue
Adhesive:	acrylic
Adhesive thickness:	10 µm
Adhesion (to stainless steel SS):	90g / 25mm
Adhesion (to Si):	100g / 25mm
Unwinding Force:	150g / 25mm

Elongation:	<u>Horizontal</u> min. 200 %	<u>Vertical</u> min. 240 %
Tensile strength:	7.5 kg / 25mm	9.0 kg / 25mm



Chemical	Film		Adhesive	
	Result	Detection Limit	Result	Detection Limit
Aluminum (Al)	Not Detected	0.02 PPM	Not Detected	0.02 PPM
Barium (Ba)	Not Detected	0.5 PPM	Not Detected	0.5 PPM
Chromium (Cr)	Not Detected	0.1 PPM	Not Detected	0.1 PPM
Iron (Fe)	Not Detected	0.05 PPM	Not Detected	0.05 PPM
Zinc (Zn)	Not Detected	0.05 PPM	Not Detected	0.05 PPM
Copper (Cu)	Not Detected	0.01 PPM	Not Detected	0.01 PPM
Calcium (Ca)	Not Detected	0.1 PPM	Not Detected	0.1 PPM
Magnesium (Mg)	Not Detected	0.02 PPM	Not Detected	0.02 PPM
Potassium (K)	Not Detected	0.05 PPM	Not Detected	0.05 PPM
Sodium (Na)	Not Detected	0.05 PPM	Not Detected	0.05 PPM
Manganese (Mn)	Not Detected	0.005 PPM	Not Detected	0.005 PPM
Chlorine (Cl)	Not Detected	0.1 PPM	Not Detected	0.1 PPM
Phosphorus (P)	Not Detected	0.01 PPM	Not Detected	0.01 PPM
Silicon (Si)	Not Detected	0.2 PPM	Not Detected	0.2 PPM
Lead (Pb)	Not Detected	0.005 PPM	Not Detected	0.005 PPM

Testing Method: Ion Chromatography

Chemical	Extracting Condition	Film		Adhesive	
		Result	Detection Limit	Result	Detection Limit
Chlorine	water, 25°C, 30 min.	Not Detected	0.5 PPM	Not Detected	0.5 PPM
Chlorine	water, 50°C, 30 min.	Not Detected	0.5 PPM	Not Detected	0.5 PPM

Testing Method: High Performance Liquid Chromatography

Rev. 3/10/12